



SPECIES EVOLUTION

LA EVOLUCIÓN DE LA ESPECIE

TR5 / TR4 DRY FEEDER FOR WEANERS

The new generation of the TR feeders for weaners: **TR-5** with 5 outlets and **TR-4** with 4 outlets taking over their large advantages that have been proved during 12 years and that have made the TR feeder the best option of dry feeding for weaners.

And now the TR feeder for weaners becomes bigger and its features have been improved so that the feeder continues being a must for all the sophisticated farmers.



NEW ADVANTAGES:

- **More height, more volume.**
- **Raised feet, more hygiene**
- **More robust.**

Also...

- **Easy Regulation.**
- **Better Durability and resistance to wearing.**
- **To optimise the transport space.**



TR5 / TR4 DRY FEEDER FOR WEANERS



NEW ADVANTAGES:

- **MORE HEIGHT, MORE VOLUME**

This prevents the access of weaners inside the feeder. With the incremented height the new TR feeder for weaners has now more capacity up to 120 l of feed.

- **RAISED FEET, MORE HYGIENE**

Thanks to the raised feet the new TR feeder is now more elevated. Also taking into account the absence of sharp corners inside the feeder, the tasks of cleaning and hygiene have become easier as well as keeping the sanitary conditions.

- **MORE ROBUST**

The incorporation of ribs in the design of the front part of the feeder makes the structure more robust and resistant to possible deformations.

Also...

Easy Regulation. The exclusive system of the slide gate ("sandwich") allows a perfect regulation of the full feeder.

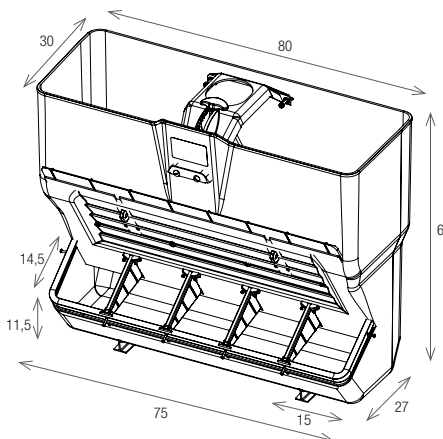
Better Durability. Totally made of plastic (high-density polypropylene) and stainless steel, that makes the feeder very resistant to wearing out from use by the animals and corrosive and oxidising agents (feed and water).

To optimise the transport space, the TR feeders are **stacked and palletised**.



TOLVA DESTETE TR5

TOLVA DESTETE TR4



TECHNICAL DETAILS

| | TOLVA DESTETE TR5 | TOLVA DESTETE TR4 |
|------------------------|-------------------------------|-------------------------------|
| Feed Capacity, L. | 120 L. | 120 L. |
| Animal live weight, kg | 6 - 30 kg | 6 - 40 kg |
| Suitable for | weaner | weaner |
| Feed | dry | dry |
| N° animals for feeder | 25 | 25 |
| Feeder outlets | 5 | 4 |
| Feeder height, cm | 70 cm (with extension: 80 cm) | 70 cm (with extension: 80 cm) |
| Feeder length, cm | 80 cm | 80 cm |
| Feeder width, cm | 30 cm | 30 cm |
| Outlet length, cm | 15 cm | 18,7 cm |